

ON-BOARD

SPLIT
VERSION

COMPACT
VERSION



<-9°C/<16°F



Ice thickness
1,8-2,2 mm



Scale Ice
Makers Units

Unité de
Production
de Glace
en Ecailles

Scherbeneis
Produktions-
einheit

Fabricador
de Hielo
en Escamas

Unità di
Produzione
Ghiaccio
in scaglie

Fresh Water	Sea Water	24h		[v/Hz/ph]	[WxDxH cm]		R
		[kg]	[lbs]		[HxDxW inches]		
EVE 201 FW	EVE 201 SW	1400 - 1900	3090-4190	400/50Hz/3ph 230/60Hz/3ph	115x118x143	45" x 46" x 56"	R 404a/R22
EVE 301 FW	EVE 301 SW	2100 - 2900	4630-6390	400/50Hz/3ph 230/60Hz/3ph	115x118x163	45" x 46" x 64"	R 404a/R22
EVE 401 FW	EVE 401 SW	3400 - 4000	7500-8820	400/50Hz/3ph 230/60Hz/3ph	115x118x186	45" x 46" x 73"	R 404a/R22
EVE 651 FW	EVE 651 SW	5000 - 6200	11020-13670	400/50Hz/3ph 230/60Hz/3ph	144x155x183	57" x 61" x 72"	R 404a/R22
EVE 801 FW	EVE 801 SW	6500 - 7700	14330-16970	400/50Hz/3ph 230/60Hz/3ph	144x155x205	57" x 61" x 81"	R 404a/R22
EVE 1001 FW	EVE 1001 SW	8500 - 10000	18740-22040	400/50Hz/3ph 230/60Hz/3ph	180x180x208	71" x 71" x 82"	R 404a/R22/R717
EVE 1301 FW	EVE 1301 SW	10000 - 12500	22040-27550	400/50Hz/3ph 230/60Hz/3ph	180x180x238	71" x 71" x 94"	R 404a/R22/R717
EVE 1501 FW	EVE 1501 SW	13500 - 15000	29760-33060	400/50Hz/3ph 230/60Hz/3ph	180x180x258	71" x 71" x 101"	R 404a/R22/R717
EVE 2401 FW	EVE 2401 SW	20500 - 23000	45180-50690	400/50Hz/3ph 230/60Hz/3ph	225x210x273	89" x 83" x 107"	R 404a/R22/R717

1

Years Warranty
Ans de Garantie
Jahre Garantie
Años de Garantía
Anni di Garanzia

Subject to certain limitations and exclusions
Assujettie aux limites et exclusions prescrites
Abhängig von Bestimmten Einschränkungen und Ausnahmen
Sujeta a algunas limitaciones y exclusiones
Soggetta ad alcune limitazioni ed esclusioni

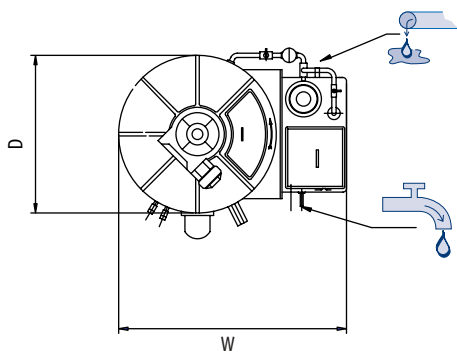
CE
1130

This product qualifies for the following listings:

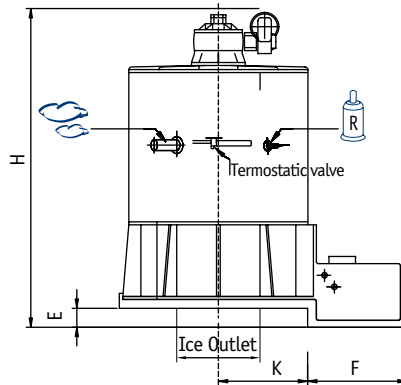


EVE

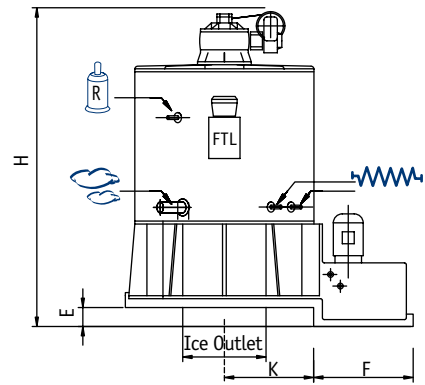
ON-BOARD





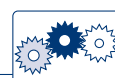
EVE201/301/401/651/801



EVE1001/1301/1501/2401



		FW  Evap. Temp. +28°C / -18°F Water temp. +15°C / +59°F [W]	SW  Evap. Temp. -35°C / -24°F Water temp. +15°C / +59°F [W]	W mm	D mm	H mm	E mm	K mm	F mm	Ice Outlet Ø (mm)	Inlet water Ø (inches)	Overflow Ø (inches)	Liquid Pipe Ø (mm)	Suction Pipe Ø (mm)	Subcooling Pipes In-Out Ø (mm)	SCRAPER MOTOR [KW]	PUMP MOTOR [KW]	[kg]	[lbs]	[kg]	[lbs]
EVE201 FW/SW	Expansion Valve	10.000	11.500	1010	825	1230	85	375	235	335	3/8	3/8	12	42	-	0,25	0,20	285	628	335	739
EVE301 FW/SW	Expansion Valve	14.600	16.720	1010	825	1430	85	375	235	335	3/8	3/8	12	42	-	0,25	0,20	305	672	355	783
EVE401 FW/SW	Expansion Valve	19.800	22.740	1010	825	1660	85	375	235	335	3/8	3/8	12	42	-	0,25	0,20	365	804	415	915
EVE651 FW/SW	Expansion Valve	33.500	38.520	1370	1140	1600	85	550	235	540	1/2	3/8	16	60	-	0,37	0,20	650	1433	730	1.610
EVE801 FW/SW	Expansion Valve	44.200	50.820	1370	1140	1800	85	550	235	540	1/2	3/8	16	60	-	0,37	0,20	880	1.940	960	2.117
EVE1001 FW/SW	Level Control	55.900	64.200	1600	1460	1880	75	645	325	655	3/4	3/8	28	89	28	0,55	0,20	1.030	2.270	1.150	2.535
EVE1301 FW/SW	Level Control	67.500	77.560	1600	1460	2180	75	645	325	655	3/4	3/8	28	89	28	0,55	0,20	1.230	2.711	1.350	2.976
EVE1501 FW/SW	Level Control	89.600	102.970	1600	1460	2380	75	645	325	655	3/4	3/8	28	114	28	0,55	0,20	1.350	2.975	1.470	3.240
EVE2401 FW/SW	Level Control	133.800	153.780	2100	1850	2450	75	835	335	1030	3/4	3/8	28	114	28	0,75	0,20	2.400	5.250	2.620	5.732



Minimum

Maximum

2°C (36°F)

40°C (104°F)

5°C (41°F)

35°C (95°F)

-10%

+10%

1 BAR
14 psi

5 BAR
70 psi

Features:
AISI 304 Stainless steel evaporator complete of expansion valve /refrigerant level control (R404a/R22); base and cover in Peralluman; dosing water pump; dripping-pan; gear-motor with system for ice-scraper rotation; All versions are certified CE/PED, DNV.

Caractéristiques:
évaporateur en acier inox AISI304 complet de détendeur /contrôle de niveau (R404a/R22); basement et couvercle en Peralluman; pompe dosage eau/sel; bassin écoulement eau; moteur qui entraine fraise hélicoïdale acier. Tous les modèles sont certifiés CE/PED, DNV.

Technische Beschreibung:
Verdampfer aus AISI 304 Edelstahl komplett mit Expansionsventil und Kältemittelfüllstandsanzeige (R404a/R 22). Rahmen und Abdeckung aus Peralluman. Dosierpumpe für Salz /Wasser. Auffangschale. Getriebemotor mit Eisbrechereinheit. Alle Modelle sind zertifiziert mit CE/PED und DNV.

Características Técnicas:
Evaporador de acero AISI 304 compuesto de válvula termostática/control de nivel (R404a/R22); base y tapa de Peralluman; bomba alimentación agua/sal; bandeja desagüe; motor rotación rompe-hielo de acero inox. Todos los modelos están certificados CE/PED, DNV.

Caratteristiche tecniche:
evaporatore in acciaio inox AISI304 completo di valvola termostatica/regolatore di livello (R404a/R22); base e coperchio in Peralluman; pompa dosatrice acqua/sale; ghiotta raccogli condensa; motoriduttore per rotazione rompighiaccio in acciaio inox. Tutte le macchine sono certificate CE/PED, DNV.



Scotsman
Ice Systems

The one the world relies on.

Certified ISO 9001:2000

USA, Canada, Latin America

Scotsman Ice Systems USA
775 Corporate Woods Parkway
Vernon Hills, IL 60061
Ph: (847) 215-4550
Fax (847) 913-9844
customer.service@scotsman-ice.com

Europe

Scotsman Europe-Frimont S.p.A.
Via Puccini, 22
20010 Pogliano (Milano) Italy
Ph: (+39) 02-93960208
Ph: (+39) 02-93960201
scotsman.europe@frimont.it

Asia and Pacific

Scotsman Ice Systems-Frimont S.p.A. (R.O.)
627A Aljunied Road #04-04 Biztech Centre
Singapore 389842
Ph: (+65) 6738 5393
Ph: (+65) 6738 1959
scotsice@singnet.com.sg

China

Scotsman Ice Systems
258 Tong Ren Road Golden Tower 7A
Shanghai-200040 Peoples's Republic of China
Ph: (+86) 21-62476056
Ph: (+86) 21-62476126
scotsmansh@online.sh.cn

Middle East & N. Africa

Scotsman Ice Systems Dubai Office
P.o. Box 13205 - Deira
Dubai - U.A.E.
Ph: +9716-5654036
Ph: +9716-5654063
scotsman@emirates.net.ae

South Africa

Scotsman Ice Systems SA (PTY) Ltd.
10, Rhodes Street - Kensington B
P.o. Box 44 - Riverclub 2149
Ph: +27-11-7898400
Ph: +27-11-7898411
scotsman@telkomsa.net